

## **Pro DT Relay Kits 7801004 and 7801005:**

**For cars with Halogen high beam bulb, socket type H1, H3, H4, H7, H9, HB3, HB4, H13, and others:**

**Red cable** - connect to the battery's positive (+) terminal (12V). The red cable has a splash-proof fuse (30A).

**Black cable** - connect to the battery's negative (-) terminal or to a grounding point on the chassis.

**Brown cable** - connect to the vehicle's high beam signal at the headlight using one of the methods below:

1. With the included branching connector: Connect the brown cable to the high beam cable at the headlight using the included red branching connector: Press the branching connector over the high beam cable, insert the brown cable into the branching connector (remove the insulation loop first), press down the metal pin with pliers, and secure with the cover.
2. With an adapter cable for different lamp sockets (accessory): Ledson's specially designed adapter cables are available for the most common lamp sockets such as H1, H3, H4, H7, HB3, etc.: Remove the bulb's connector and install the adapter cable between the bulb and the car's connector. Cut off the adapter cable's white connector and strip the end by about 10 mm. Also, strip the brown cable by about 10 mm. Insert the ends from opposite directions into the solder joint and heat it until the solder melts and the plastic in the cable joint shrinks around the wires using a heat gun or a regular lighter.
3. For cars with xenon or LED high beams using the Connect box (CanM8): Connect the CanM8 according to the provided instructions. Strip and connect the brown wire with the purple wire (from the Connect) using the included solder joint (see point 2).

**Gray cable** - not used (only when using with XBB Dongle)

**Blue cable - short cable with a connector** - Outgoing control signal, only used for interconnection of additional relay harnesses (when installing multiple auxiliary lights or light bars):

Connect it to the short brown cable with a black connector on the next relay harness. Therefore, only the first relay harness needs to be connected to the high beam signal at the headlight (brown cable).

**White Cable and Yellow Cable** - Incoming control signal for position lights in LED light bars/auxiliary lights that have white or yellow position lights.

Connect the white or yellow cable to the parking light at the headlight using the included red branching connector:

Press the branching connector over the parking light cable, insert the cable into the branching connector (remove the insulation loop first), and squeeze down the metal pin with pliers. Close the red cover.

If you wish to switch between white and orange, so that you normally have white position lights on and want to switch to orange, you can install a power switch inside the cabin (accessory) that powers the yellow cable.

**DT 4-pin connector** - Connect to the light source (maximum 13A/DT connector, maximum 30A total for harness with multiple outputs)

## Pro DT Relay Kits 7801004 and 7801005:

### For cars with Xenon or LED high beam lamps using the XBB Dongle®:

Read and follow the entire XBB Dongle® guide before starting the installation of the lighting and XBB PowerUnit®.

#### Connection of the relay kit:

Replace the installed relay in the kit with the XBB PowerUnit®.

**Red cable** - connect to the battery's positive (+) terminal (12V). The red cable has a splash-proof fuse (30A).

**Black cable** - connect to the battery's negative (-) terminal or to a grounding point on the chassis.

**Brown cable** - not used.

**Gray cable** - Used for function 2 in the XBB PowerUnit® (max 5A).

Can be programmed as a position light, reverse light, or similar (see the XBB Dongle manual).

Can be connected with a white or yellow cable for position lights (see below).

**Blue cable - short cable** - Outgoing control signal, only used for interconnection of additional relay harnesses (when installing multiple auxiliary lights or light bars):

Connect it to the short brown cable with a black connector on the next relay harness.

Thus, the original relay is retained, and only one PowerUnit® is needed to control both/all relay harnesses.

Up to 20 relay harnesses can be interconnected in this way.

The relay holder can be slid together for neat and easy installation.

**White Cable and Yellow Cable** - Incoming control signal for position lights in LED light bars/auxiliary lights that have white or yellow position lights.

Strip and connect the gray cable (refer to the "gray cable" point above) with the white or yellow cable using the included solder joint (refer to point 2).

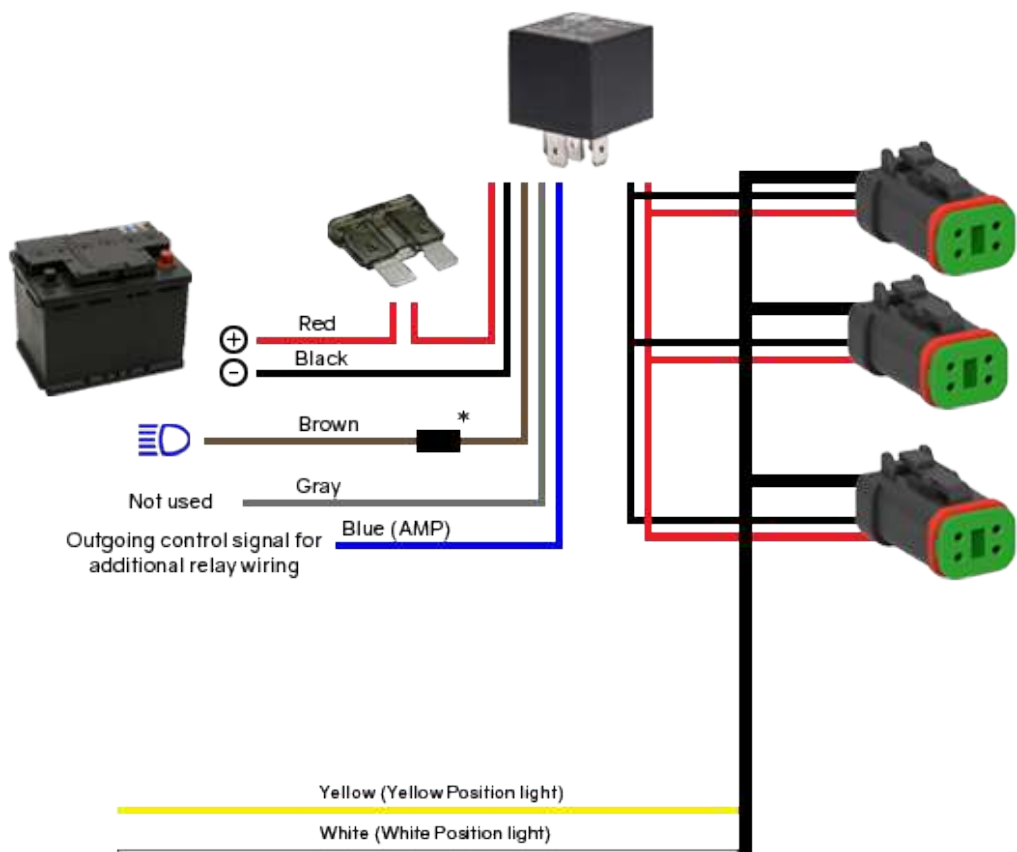
If you wish to switch between white and orange, so that you normally have white position lights on and want to switch to orange, you can install a power switch inside the cabin (accessory) that powers the yellow cable.

**DT 4-pin connector** - Connect to the light source (maximum 13A/DT, maximum 15A total for the harness with XBB PowerUnit®. For example, 1 LED light bar maximum 13A OR 2 auxiliary lights, each 7.5A. If the total consumption exceeds 15A, we recommend additional harnesses controlled according to "Blue - short cable" (see above).

#### Connection of Power Switch Harness:

To be able to disconnect the LED light bar/auxiliary lights, you can use our pre-wired power switch harness (additional accessory with part number 7801009 - purchased separately).

1. Drill a 20mm hole for the power switch at a suitable location.
2. Extend the harness to the engine compartment and connect it between the connectors on the brown cable at the relay.
3. Ground the black cable (ring terminal) at a suitable location, such as the battery's negative (-) terminal or directly to the chassis.



\* See instruction manual