



Preliminary Steps

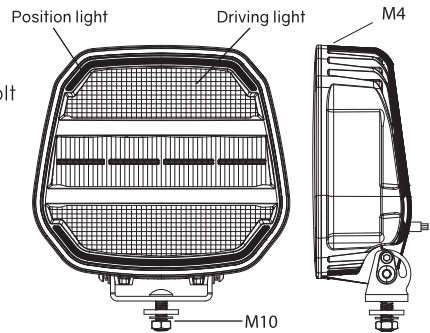
1. Read all instructions carefully and study diagrams before installing the lights
2. Check with state and local authorities for laws governing usage and proper mounting of auxiliary lights
3. Disconnect ground connection from battery (marked "-") to avoid accidental short circuits before attempting to connect electrical wires.
4. Route new wires along existing wiring. Tape as necessary to correct slack.
5. When running wires through the firewall, keep them away from moving parts.

Mounting and installation

1. Drill 10.5mm holes for screw placement on the mounting surface
2. Use the bolt to fasten light, add the locking washer, tighten the bolt
3. Wiring:
 - Red: Driving light "+"
 - Black: Ground "-" (Driving light / DRL light)
 - White: DRL light "+" (White light)
 - Yellow: DRL light "+" (Orange light)

NOTE #1: E-mark does not apply when using orange p-light

NOTE #2: Wire color and function is the same on both the light and DT adapte



Toggle Powerboost mode

This is done most easily when your additional lights are connected to the vehicle using the vehicle's high beam lever and with the light switch in 0 or parking light.

- Step 1: Turn on the auxiliary light for about 10 seconds (between 7-13 seconds)
- Step 2: Flash the auxiliary light in rapid succession 10 times (within 10 seconds)
- Step 3: The eleventh time you should have the auxiliary light on and after about 5 seconds the Powerboost function will automatically switch on or off

Reset (if you want to reset steps 1-3)

Turn on the auxiliary light for more than 14 seconds. The Powerboost switch function is reset back to step 1.

Reset of step 2

If you have the auxiliary light on for more than 1.5 seconds during step 2, step 2 is reset.

Synchronize all auxiliary lights

If your auxiliary lights have ended up out of sync (one or more lights have different positions), you need to disconnect the ones that have the desired position and perform the switching procedure (steps 1-3) only with the lights that are to switch positions. Then you connect all the lights again.

Warning!

1. Works under the specified voltage (DC9-36V).
2. Becomes hot under continuous use. Don't remove or touch the casing for at least 30 minutes after turning off.
3. Keep heat-sink clean and exposed to maintain air flow.